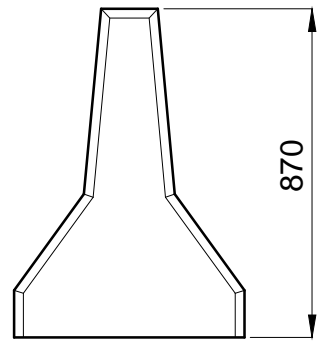
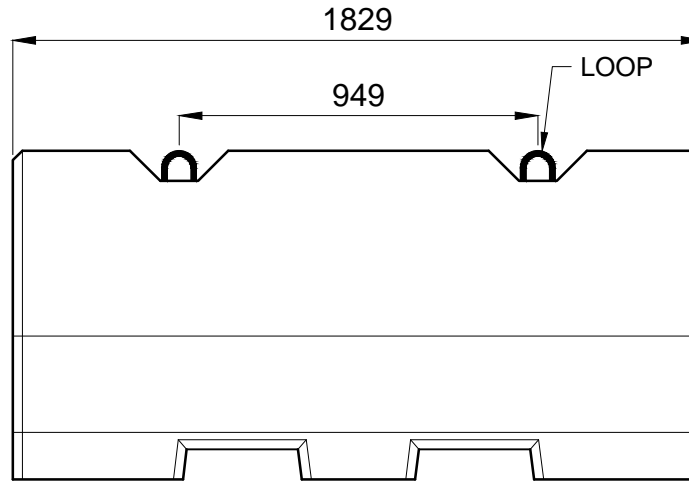




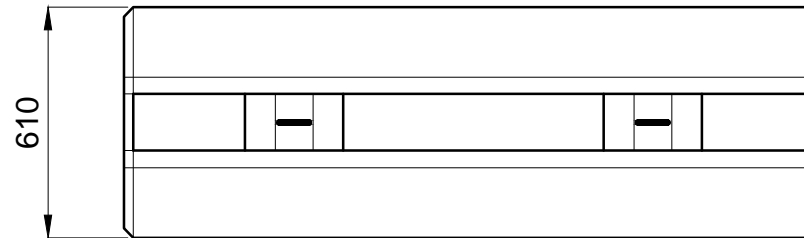
11240 199 St., Edmonton, AB T5S 2C6
 P:780-930-4232 F:780-425-4232
 www.concreteinc.ca
 email:info@concreteinc.ca



SIDE VIEW



ELEVATION VIEW



PLAN VIEW

NOTES

IMPERIAL DIMENSIONS	6' x 24" x 34"
METRIC DIMENSIONS	1829 x 610 x 870mm

DRAWING No.# JB-6

FILE No.# JERSEY BARRIER 6'

Sales Order No.# -

CONCRETE	Volume (cu.m)	Mass (Kg)	Air Content
	0.5	1230	4%
STRENGTH	Stripping (MPa)	28-days (MPa)	Rebar Grade
	12	32	400W

FINISH : SMOOTH GREY

HANDLING INSTRUCTIONS
 -Normal Fork Lifting To be
 Placed On Pallet

REVISION NO.# -
 REVIEWED BY : -
 DATE : -

SCALE : 1:20

SHEET NO.# 1/1

DRAWN BY: ED
 DATE: 2015-07-15