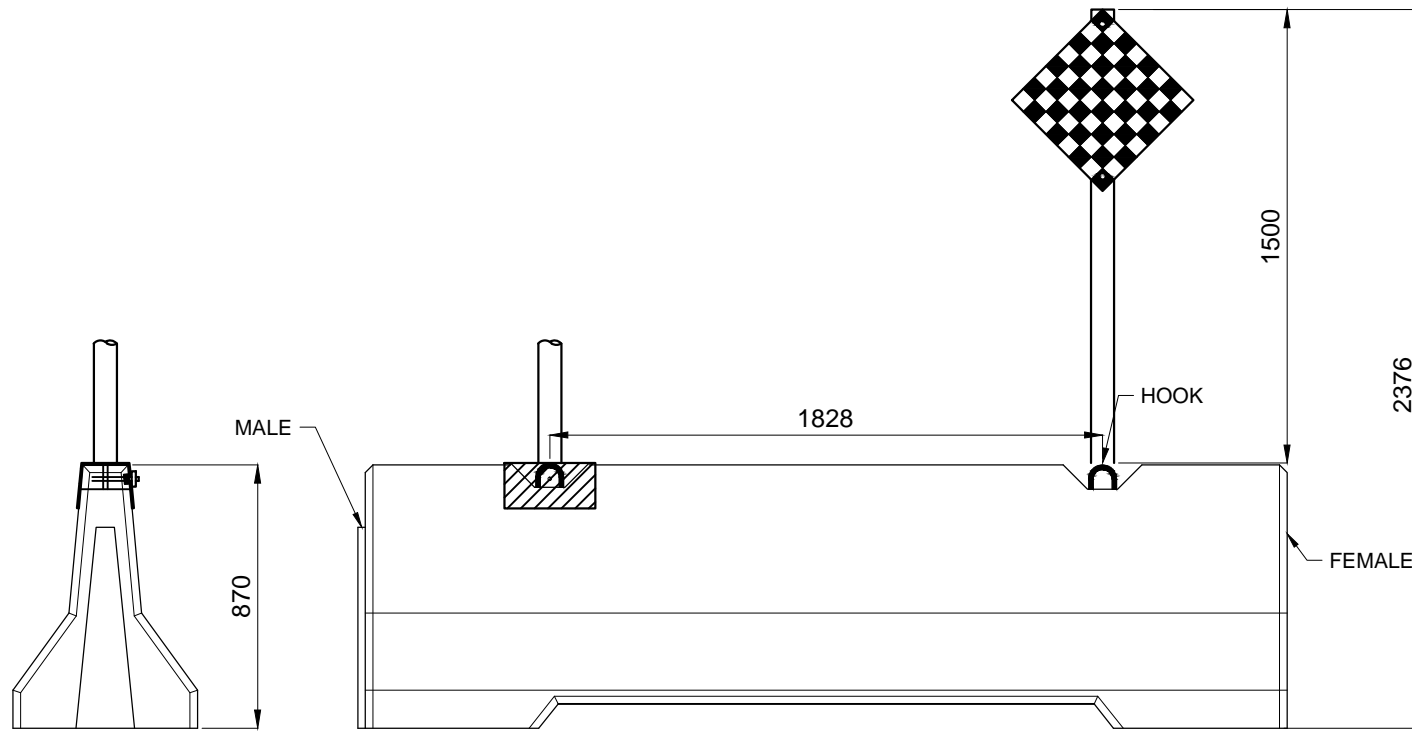




11240 199 St., Edmonton, AB T5S 2C6  
 P:780-930-4232 F:780-425-4232  
 www.concreteinc.ca  
 email:info@concreteinc.ca



SIDE VIEW

ELEVATION VIEW

PLAN VIEW

NOTES

IMPERIAL DIMENSIONS	10' x 24" x 7 ft $9\frac{35}{64}$ "
METRIC DIMENSIONS	3048 x 610 x 2376mm

DRAWING No.# JB-SP

FILE No.# JERSEY BARRIER 10' WITH 2 SIGNS

Sales Order No.# -

CONCRETE	Volume (cu.m)	Mass (Kg)	Air Content
--	--	20	4
STRENGTH	Stripping (MPa)	28-days (MPa)	Rebar Grade
12	32	32	400W

FINISH : GREY PAINT

HANDLING INSTRUCTIONS  
 -Normal Fork Lifting To be  
 Placed On Pallet

REVISION NO.#	-
REVIEWED BY :	-
DATE :	-
SCALE :	1:25
SHEET NO.#	1/1
DRAWN BY:	ED
DATE:	2016-01-18