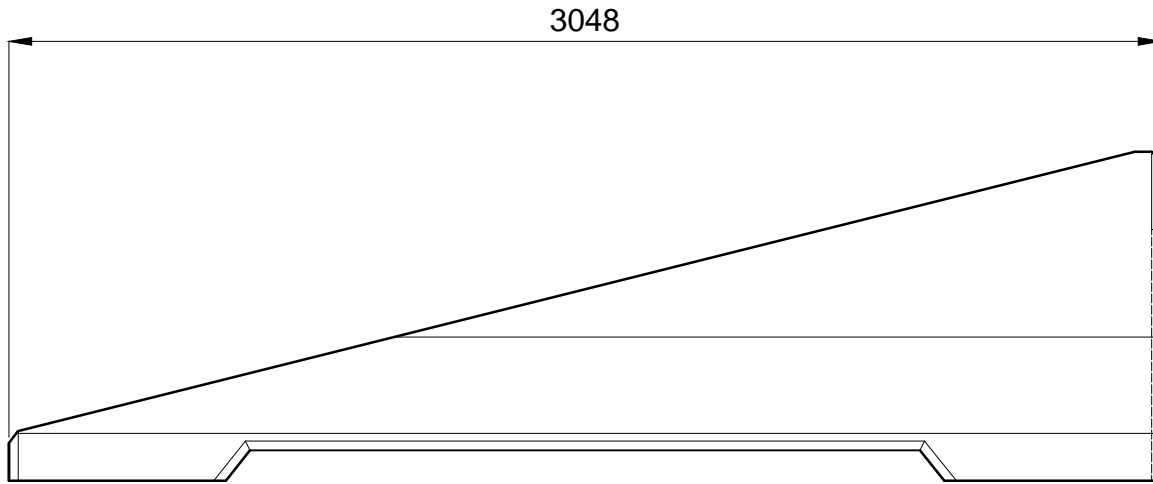


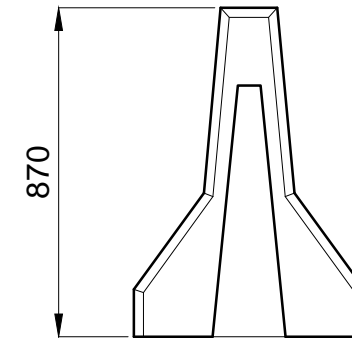


11240 199 St., Edmonton, AB T5S 2C6
 P:780-930-4232 F:780-425-4232
 www.concreteinc.ca
 email:info@concreteinc.ca

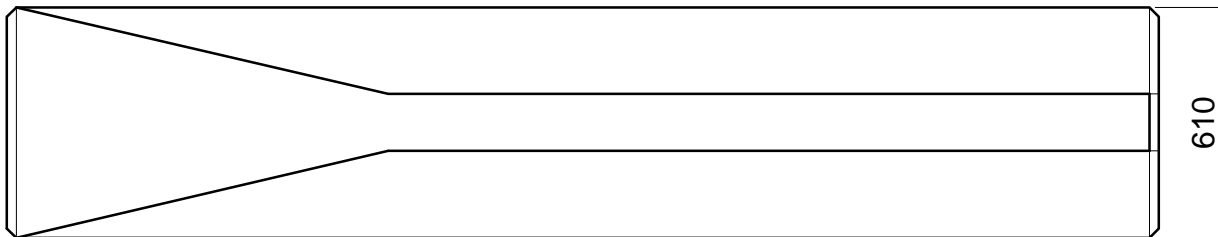


ELEVATION VIEW

CONNECTION



SIDE VIEW



PLAN VIEW

NOTES

IMPERIAL DIMENSIONS	10' x 24" x 34"
METRIC DIMENSIONS	3048 x 610 x 870mm

DRAWING No.# JB-TRANS I

FILE No.# JERSEY BARRIER TRANSITION INVERTED

Sales Order No.# -

CONCRETE	Volume (cu.m)	Mass (Kg)	Air Content
	0.45	1100	4
STRENGTH	Stripping (MPa)	28-days (MPa)	Rebar Grade
	12	32	400W

FINISH : SANDBLASTED GREY

HANDLING INSTRUCTIONS -Normal Fork Lifting To be Placed On Pallet	REVISION NO.#	-
	REVIEWED BY :	-
	DATE :	-
	SCALE :	1:20
	SHEET NO.#	1 / 1
	DRAWN BY:	ED
	DATE:	2015-07-20