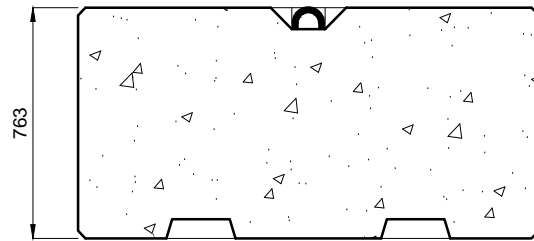
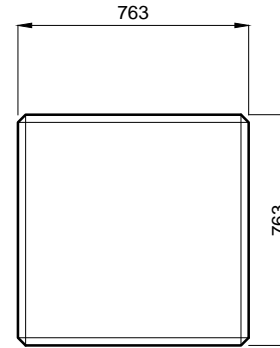


TOP

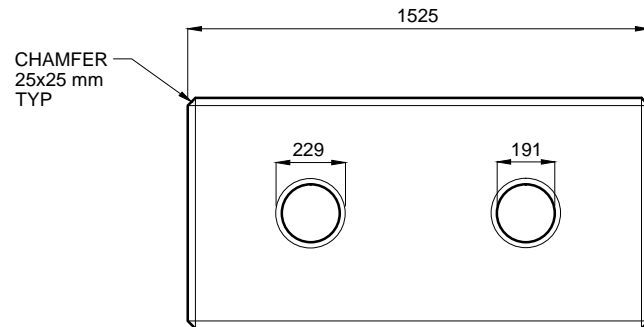
LIFTING LOOP
 (1/2" dia. GA7
 strand steel)



FRONT ELEVATION



SIDE ELEVATION



BASE

NOTES

IMPERIAL DIMENSIONS	60"x30"x30"
METRIC DIMENSIONS	1525x763x763

DRAWING No.# PB FT

FILE No.# PRECAST BLOCK

Sales Order No.# -

CONCRETE	Volume (cu.m)	Mass (Kg)	Air Content
	0.79	1900	5-7%
STRENGTH	Stripping (MPa)	28-days (MPa)	Rebar Grade
	12	32	400W

FINISH : -

HANDLING INSTRUCTIONS
 - MOVE WITH LIFTING
 HOOK

REVISION NO.# -
 REVIEWED BY: -
 DATE: -

SCALE : 1:25

SHEET NO.#

DRAWN BY: ED
 DATE: 2016-01-05