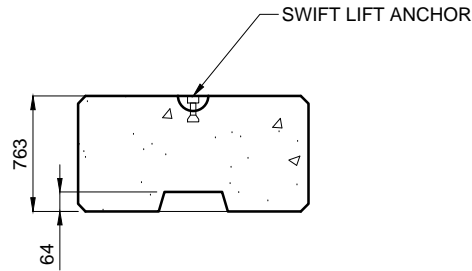
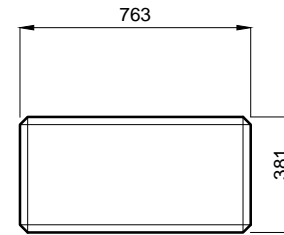


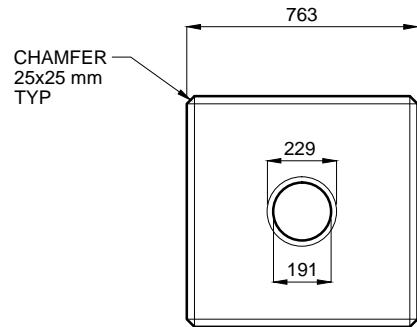
TOP



FRONT ELEVATION



SIDE ELEVATION



BASE

NOTES

IMPERIAL DIMENSIONS	30"x30"x15"
METRIC DIMENSIONS	763x763x381

DRAWING No.# PB HH HS FT

FILE No.# PRECAST BLOCKS

Sales Order No.# -			
CONCRETE	Volume (cu.m)	Mass (Kg)	Air Content
	0.19	373	5-7%
STRENGTH	Stripping (MPa)	28-days (MPa)	Rebar Grade
	12	32	400W
FINISH : -			

HANDLING INSTRUCTIONS -MOVE WITH LIFTING HOOK	REVISION NO.#	-
	REVIEWED BY :	-
	DATE :	-
SCALE :	1:25	
SHEET NO.#	1	1
DRAWN BY:	ED	
DATE:	2016-01-05	