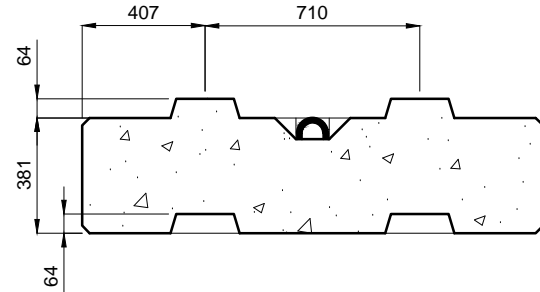
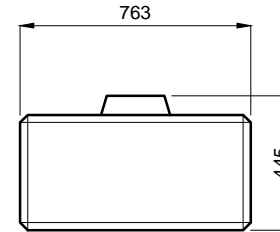


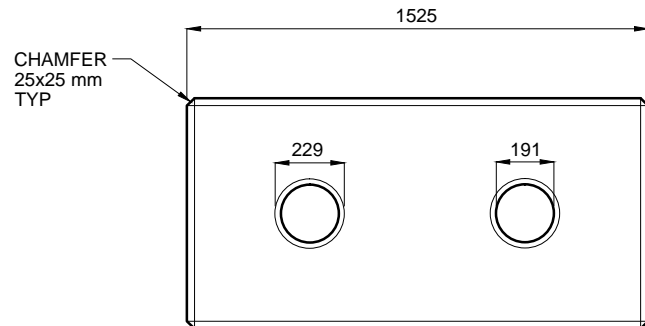
TOP



FRONT ELEVATION



SIDE ELEVATION



BASE

NOTES

IMPERIAL DIMENSIONS	60"x30"x17.5"
METRIC DIMENSIONS	1525x763x445

DRAWING No.# PB HH S

FILE No.# PRECAST BLOCK

Sales Order No.# -

CONCRETE	Volume (cu.m)	Mass (Kg)	Air Content
	0.39	950	5-7%
STRENGTH	Stripping (MPa)	28-days (MPa)	Rebar Grade
	12	32	400W

FINISH : -

HANDLING INSTRUCTIONS -MOVE WITH LIFTING HOOK	REVISION NO.#	-
	REVIEWED BY :	-
	DATE :	-
	SCALE :	1:25
	SHEET NO.#	1/1
	DRAWN BY :	ED
	DATE :	2016-01-05