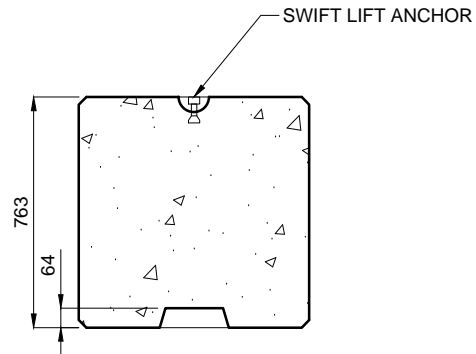
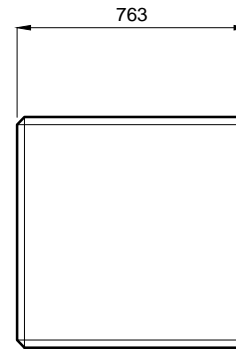


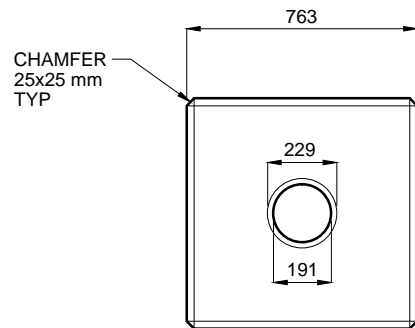
TOP



FRONT ELEVATION



SIDE ELEVATION



BASE

NOTES

IMPERIAL DIMENSIONS	30"x30"x30"
METRIC DIMENSIONS	763x763x763

DRAWING No.# PB HS FT

FILE No.# PRECAST BLOCKS

Sales Order No.# -			
CONCRETE	Volume (cu.m)	Mass (Kg)	Air Content
	0.39	745	5-7%
STRENGTH	Stripping (MPa)	28-days (MPa)	Rebar Grade
	12	32	400W

FINISH : -

HANDLING INSTRUCTIONS -MOVE WITH LIFTING HOOK	REVISION NO.#	-
	REVIEWED BY :	-
	DATE :	-
	SCALE :	1:25
	SHEET NO.#	1/1
	DRAWN BY:	ED
	DATE:	2016-01-05