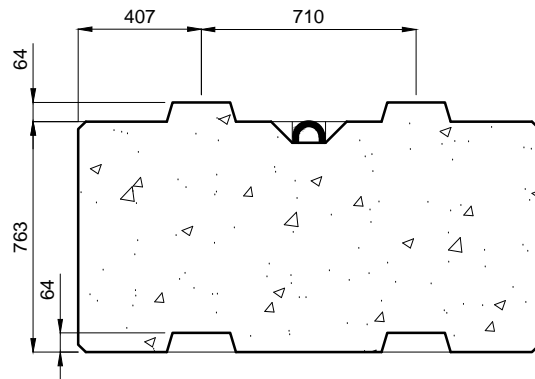
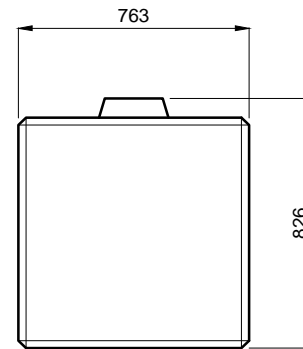


TOP

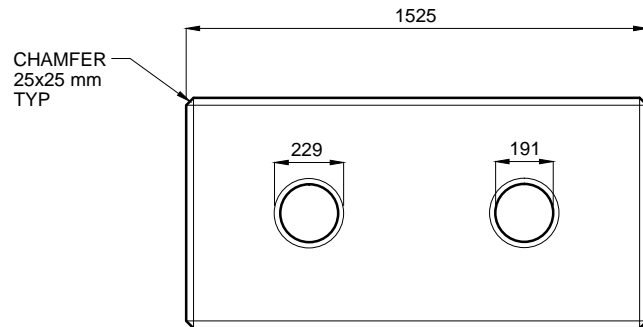
LIFTING LOOP  
 (1/2" dia. GA7  
 strand steel)



FRONT ELEVATION



SIDE ELEVATION



BASE

CHAMFER  
 25x25 mm  
 TYP

NOTES

IMPERIAL DIMENSIONS	60"x30"x32.5"
METRIC DIMENSIONS	1525x763x826

DRAWING No.# PB S

FILE No.# PRECAST BLOCKS

Sales Order No.# -

CONCRETE	Volume (cu.m)	Mass (Kg)	Air Content
	0.81	1950	5-7%
STRENGTH	Stripping (MPa)	28-days (MPa)	Rebar Grade
	12	32	400W

FINISH : -

HANDLING INSTRUCTIONS  
 MOVE WITH LIFTING  
 HOOK

REVISION NO.# -  
 REVIEWED BY : -  
 DATE : -

SCALE :

SHEET NO.#

DRAWN BY: ED  
 DATE: 2016-01-05