



11240 199 St., Edmonton, AB T5S 2C6
 P:780-930-4232 F:780-425-4232
 www.concreteinc.ca
 email:info@concreteinc.ca

CONTRACTOR	-
PROJECT NAME	GENERAL
LOCATION	-

PRODUCTION	
PROFILE NO.	BR1-A,B,C,D
TOTAL REQUIRED	-
TOTAL POUR DAYS	-
START POUR DATE	-

PRODUCTION STAMP SIGN

MOLD	
PROFILE NO.	BR1-A,B,C,D
NO OF MOLDS.	3

FABRICATION STAMP SIGN

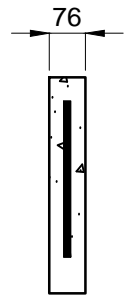
REBAR LIST					
MARK	SIZE	SHAPE	No.	LENGTH	WEIGHT
BK36-R10-ST-1	10M		1	814mm	0.6Kg
BK36-R10-BN-2	10M		1	1111mm	0.9Kg

INSERTS LIST		
TYPE	No.	SHAPE
-	-	-

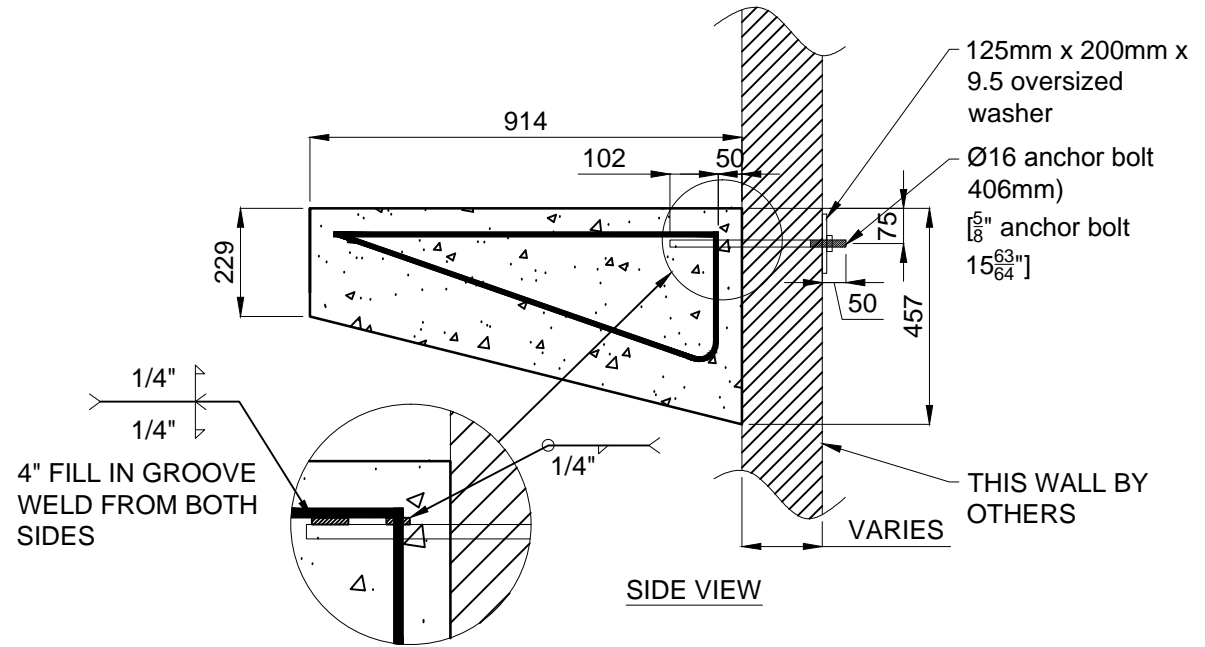
DRAWING No.# BR-36" ST		
FILE No.# BRACKET		
Sales Order No.# -		

CONCRETE	Volume (cu.m)	Mass (Kg)	Air Content
0.02	60	5-7%	
STRENGTH	Stripping (MPa)	28-days (MPa)	Rebar Grade
12	32	400W	

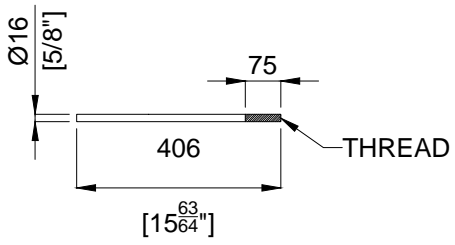
FINISH : SMOOTH GREY	
HANDLING INSTRUCTIONS USE FORK LIFT	REVISION NO.# - REVIEWED BY : - DATE : -
SCALE :	1:16
SHEET NO.# 1	1
DRAWN BY: ED	DATE: 2016-01-27



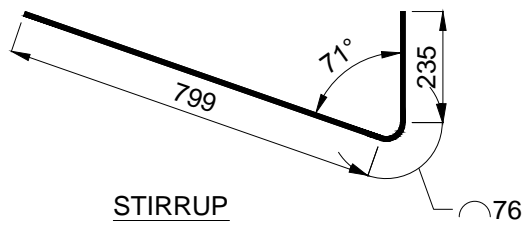
FRONT VIEW



SIDE VIEW



THREADED ROD



STIRRUP

CONCRETE NOTES:

- Design, mixing, placing and curing of concrete shall conform to CSA 23.1
- Compressive Strength of concrete 32 MPA at 28 days minimum air content of 4%.
- reinforcing steel to conform to CAN/CSA G30.18, Grade 400R
- Clear cover to main reinforcement is 50mm.
- Anchor Bolts,nuts and washers conform to ASTM A307
- Weld to conform to CSA W59, 2003 comply with the CSA W47.1 Division 2.Use minimum 6mm fillet weld.
- The bracket supporting wall shall be structurally stable and designed by others to capable to withstand the overturning moment from the bracket.
- Any super imposed live load,snow load and dead load on top of bracket should not exceed the maximum load indicated in the table according to the bracket size and length.